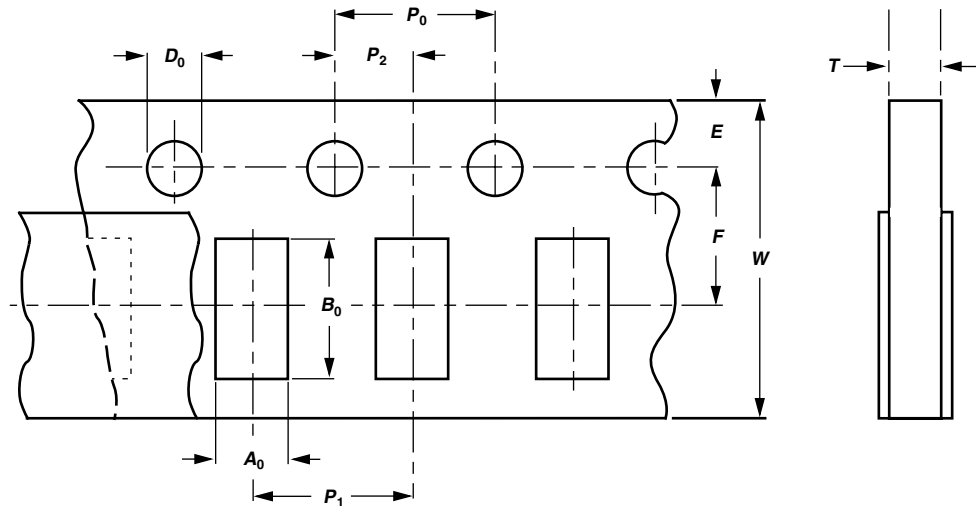


SMD Chip and MELF Resistors

TAPE AND REEL
CARDBOARD TAPE

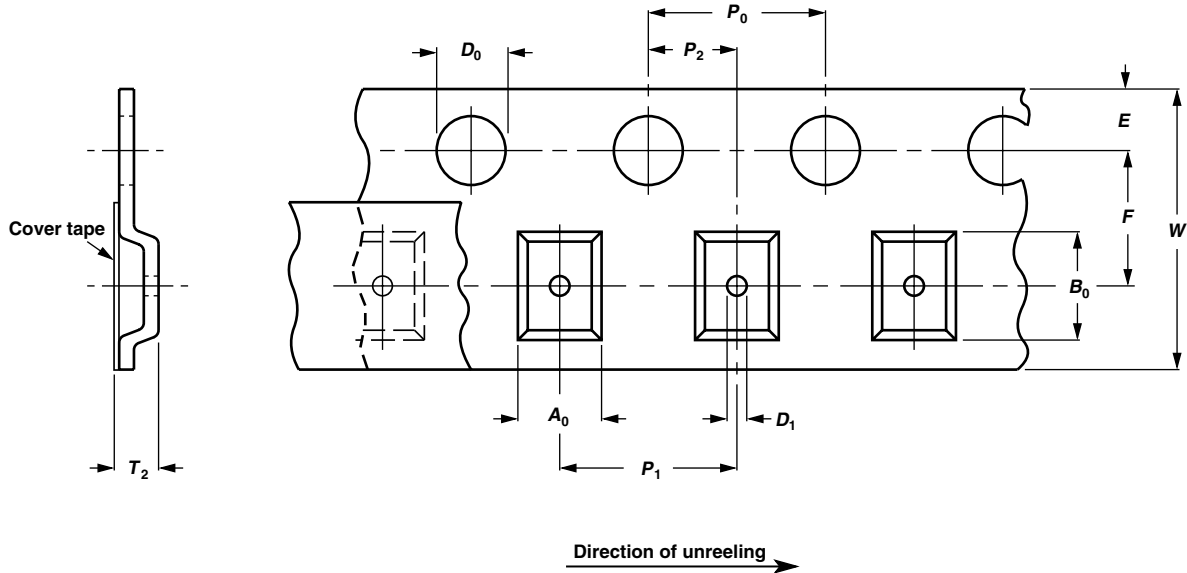
According to IEC 60286-3, Type I



DIMENSIONS in millimeters					
SYMBOL	FLAT CHIP PRODUCT SIZE				
	0402	0603	0606	0805	1206, 0612
A_0	0.7 - 0.05	1.1 - 0.05	2.0 ± 0.05	1.65 - 0.05	2.0 ± 0.05
B_0	1.2 - 0.05	1.9 - 0.05	1.75 ± 0.05	2.4 - 0.05	3.5 ± 0.1
P_1	2.0 ± 0.05	4.0 ± 0.1			
P_2	2.0 ± 0.05				
P_0	4.0 ± 0.1				
D_0	1.5 + 0.1				
E	1.72 ± 0.1				
F	3.5 ± 0.05				
W	8.0 ± 0.2				
T	0.43 ± 0.05	0.6 ± 0.05			0.75 ± 0.05

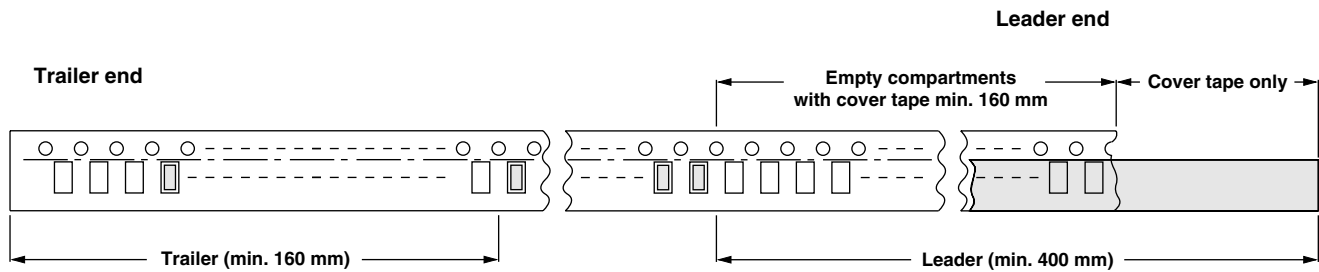
BLISTER TAPE

According to IEC 60286-3, Type II



DIMENSIONS in millimeters			
SYMBOL	MELF PRODUCT SIZE		
	0102	0204	0207
A_0	1.3 ± 0.1	1.55 ± 0.1	2.4 ± 0.1
B_0	2.47 ± 0.1	3.7 ± 0.1	6.0 ± 0.1
P_1	4.0 ± 0.1		
P_2	2.0 ± 0.05		
P_0	4.0 ± 0.1		
D_0	1.5 ± 0.1		
E	1.75 ± 0.1		
F	3.5 ± 0.05		5.5 ± 0.05
W	$8.0 + 0.3/- 0.1$		12 ± 0.3
T_2	≤ 1.65	≤ 1.80	≤ 2.7

LEADER AND TRAILER TAPE



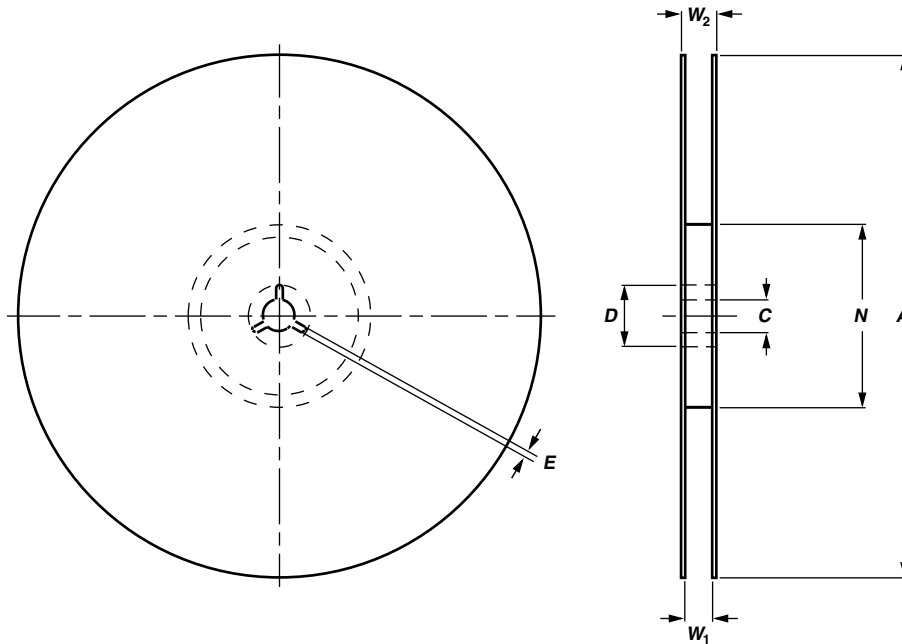
The minimum length of the leader is 400 mm, which includes a minimum 160 mm of carrier tape with empty compartments and sealed by the cover tape.

The minimum length of the trailer is 160 mm carrier tape with empty compartments and sealed by the cover tape.

PEEL-OFF FORCE

Peel-off forces are 0.1 N to 1.0 N for 8 mm tape and 0.1 N to 1.3 N for 12 mm tape at a peel-off speed of 300 mm ± 10 mm/minute. The peel-off angle should be between 165° and 180°.

REEL



DIMENSIONS in millimeters - packaging codes, quantities and reel									
DESCRIPTION	VALUE								
Packaging code	P1 ⁽¹⁾	B1 ⁽¹⁾	BL	P5	E0	B0	PW	B2	B7
Units per reel	1000	1000	3000	5000	10 000	10 000	20 000	2000	7000
A	180					330		180	330
W ₁	8.4 + 1.5/- 0							12.4 + 1.5/- 0	
W _{2max.}	14.4							18.4	
E	2.5 ± 0.5								
D	22.5 ± 2.0								
C	13.0 + 0.5/- 0.25								
N	62								

Note

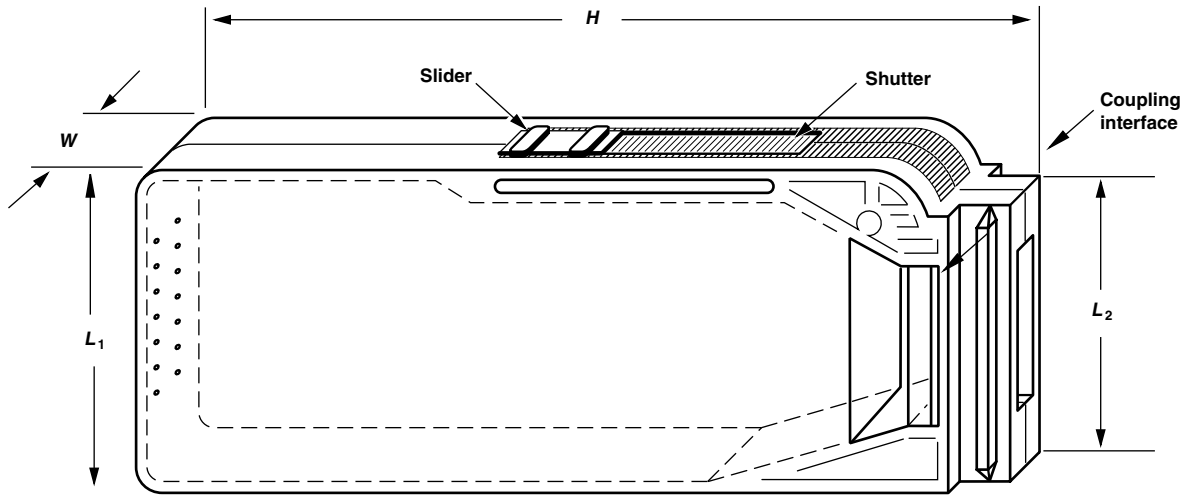
⁽¹⁾ Only for precision products (P1 chip resistors; B1 MELF resistors)

ENVIRONMENTAL CONSIDERATIONS

- Cover tape, carrier tape and reel do not contain environmentally-harmful PVC materials
- Because the carrier tape is made of either paper (paper tape) or polystyrene (blister tape) and the reel is polystyrene, they are ideally suited for recycling

BULK CASE

According to IEC 60286-6



DIMENSIONS in millimeters - packaging codes, quantities and bulk case

DESCRIPTION	VALUE	
Packaging code	M3	M8
Units per bulk case	3000	8000
L_1	36	
L_2	31.5	
W	12	
H	110	

ENVIRONMENTAL CONSIDERATIONS

- Bulk cases are designed for re-use
- The construction materials are ideally suited for recycling after the case's end life